

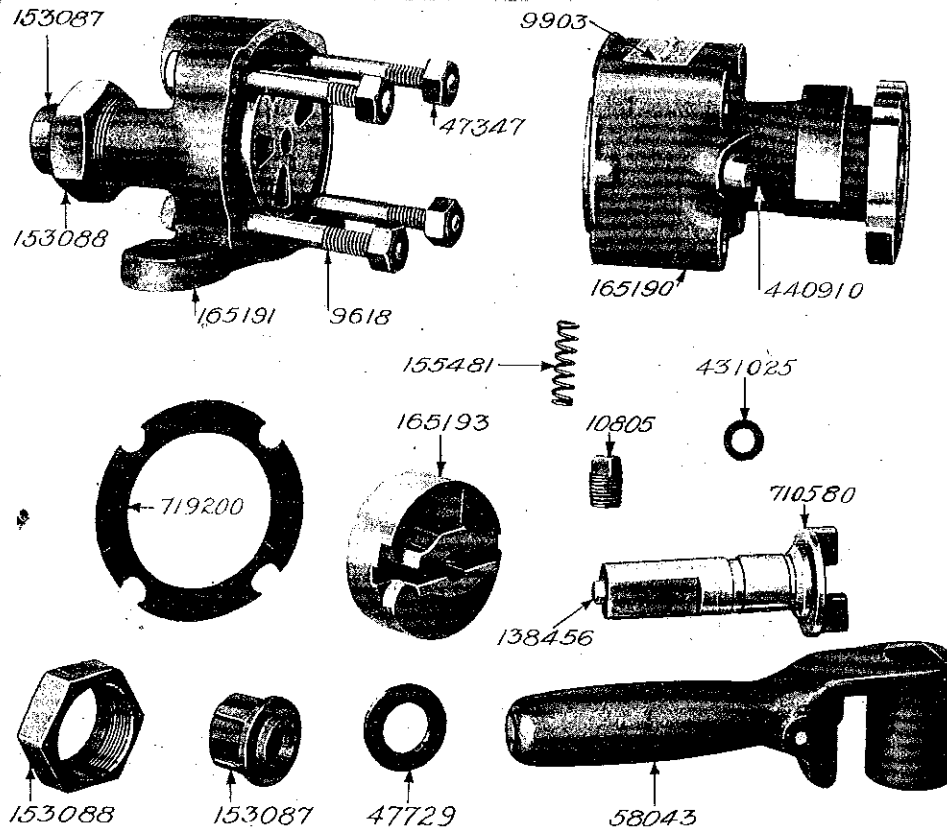
General Electric Company

Schenectady, N.Y.

November 1918.

Bulletin No. 54567

PARTS OF TYPE S, FORM L1 MOTORMAN'S VALVE



Cat. No.	Description
159388	TYPE S, FORM L1 MOTORMAN'S VALVE for straight air brake system with emergency feature.....
58043	Handle, malleable iron. Not included with valve; must be ordered separately.....
<i>Following are the parts:</i>	
165190	Valve bonnet with bushing and oil hole plug (bushing must be ground to fit valve stem).....
440910	Screw plug for oil hole.....
431025	Leather gasket for screw plug ($\frac{3}{8}$ in. by $\frac{3}{8}$ in. by $\frac{1}{16}$ in. thick).....
9903	Screw fastening name plate in position (4-36, $\frac{1}{4}$ in. r.h.).....
165191	Valve body with pipe plug.....
10805	Pipe plug for valve body ($\frac{1}{4}$ in. pipe).....
719200	Leather gasket for valve body and bonnet.....
9618	Bolt fastening valve bonnet to valve body ($\frac{3}{8}$ in.-16, $3\frac{1}{2}$ in. sq. h).....
47347	Nut for No. 9816 ($\frac{3}{8}$ in.-16, hex. st'd).....
153087	Union swivel.....
153088	Union nut.....
47729	Leather gasket for Nos. 153087, 153088 ($\frac{3}{4}$ in. by $1\frac{1}{4}$ in. by $\frac{1}{8}$ in. thick).....
165193	Rotary valve.....
710580	Valve stem with screw for oil hole (must be ground to fit bushing in valve bonnet).....
138456	Screw for oil hole (14-24, $\frac{3}{8}$ in. fill. h.).....
155481	Compression spring for valve stem.....

NOTE.—Data subject to change without notice.
Third Edition.

GENERAL ELECTRIC COMPANY

PRINCIPAL OFFICES: SCHENECTADY, N. Y.

SALES OFFICES (Address nearest Office)

Atlanta, Ga.	Third National Bank Building
Baltimore, Md.	Lexington Street Building
Birmingham, Ala.	Brown-Marx Building
Boston, Mass.	84 State Street
Buffalo, N. Y.	Electric Building
Butte, Mont.	Electric Building
Charleston, W. Va.	Charleston National Bank Building
Charlotte, N. C.	Commercial National Bank Building
Chattanooga, Tenn.	James Building
Chicago, Ill.	Monadnock Building
Cincinnati, Ohio.	Provident Bank Building
Cleveland, Ohio.	Illuminating Building
Columbus, Ohio.	The Hartman Building
Dayton, Ohio.	Schwinn Building
Denver, Colo.	First National Bank Building
Des Moines, Iowa.	Hippee Building
Detroit, Mich.	Dime Savings Bank Building
Duluth, Minn.	Fidelity Building
Elmira, N. Y.	Hulett Building
Erie, Pa.	Commerce Building
Fort Wayne, Ind.	1600 Broadway
Hartford, Conn.	Hartford National Bank Building
Indianapolis, Ind.	Traction Terminal Building
Jacksonville, Fla.	Heard National Bank Building
Joplin, Mo.	Miner's Bank Building
Kansas City, Mo.	Dwight Building
Knoxville, Tenn.	Burwell Building
Los Angeles, Cal.	Corporation Building, 724 S. Spring Street
Louisville, Ky.	Starks Building
Memphis, Tenn.	Randolph Building
Milwaukee, Wis.	Public Service Building
Minneapolis, Minn.	410 Third Ave., North
Nashville, Tenn.	Stahlman Building
New Haven, Conn.	Second National Bank Building
New Orleans, La.	Maison-Blanche Building
New York, N. Y.	Equitable Building, 120 Broadway
Niagara Falls, N. Y.	Gluck Building
Omaha, Neb.	Electric Building
Philadelphia, Pa.	Witherspoon Building
Pittsburgh, Pa.	Oliver Building
Portland, Ore.	Electric Building
Providence, R. I.	Turks Head Building
Richmond, Va.	Virginia Railway & Power Building
Rochester, N. Y.	Granite Building
St. Louis, Mo.	Pierce Building
Salt Lake City, Utah.	Newhouse Building
San Francisco, Cal.	Rialto Building
Seattle, Wash.	Colman Building
Spokane, Wash.	Paulsen Building
Springfield, Mass.	Massachusetts Mutual Building
Syracuse, N. Y.	Onondaga County Savings Bank Building
Toledo, Ohio.	Spitzer Building
Washington, D. C.	Commercial National Bank Building
Worcester, Mass.	State Mutual Building
Youngstown, Ohio.	Stambaugh Building

FOR TEXAS, OKLAHOMA and ARIZONA Business refer to
Southwest General Electric Co. (Formerly Hobson Electric Co.)

Dallas, Tex.	Interurban Building
El Paso, Tex.	500 San Francisco Street
Houston, Tex.	Third and Washington Streets
Oklahoma City, Okla.	1 West Grande Ave.

MOTOR AGENCIES in all large cities and towns

Partial List of FOREIGN Sales Offices

General Electric Co., Foreign Dept.	Schenectady, N. Y.
General Electric Co., Foreign Dept.	Equitable Bldg., 120 Broadway, New York City
General Electric Co. of N. Y.	83 Cannon St., London, E. C., England
Australian General Electric Co.	Melbourne and Sydney
Companhia General Electric do Brazil.	Rio de Janeiro
Cia. General Electric Sudamericana.	Buenos Aires
Mexican General Electric Co.	City of Mexico and Guadalajara
South African General Electric Co.	Johannesburg and Cape Town

Representatives and Agents in all countries

For all CANADIAN Business refer to Canadian General Electric Co., Ltd., Toronto, Ont.